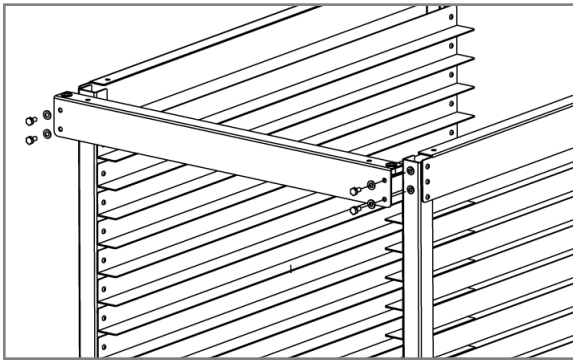


 **Assembly instructions**

*Riley Hopkins*

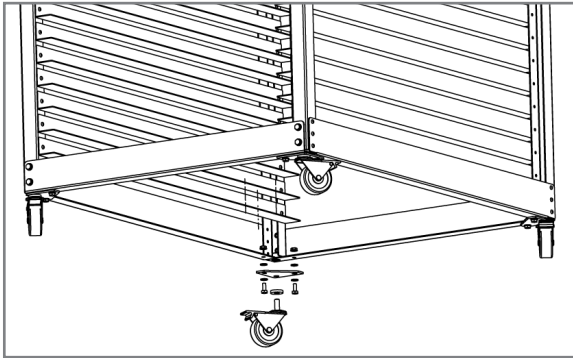
**Screen Printing Press Cart  
With Screen & Supply Rack**





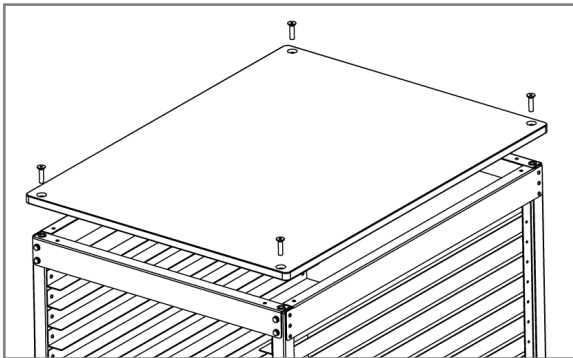
### Step 1.

Attach the cross bars to the cart using the supplied 1/4 x 1/2 inch long bolts and washers, using a 7/16 inch wrench or the supplied wrench.



### Step 2.

Attach the slotted side of the wheel supports with the supplied 1/4 x 5/8 inch long bolts and flanged nuts through the bottom holes of the rack side assembly. Stack washers as shown for proper spacing. Insert casters through provided large spacer into fixed nut in the rack and tighten with supplied wrench. Flip cart upright onto casters.



### Step 3.

Attach the wooden top using the 3/8-16 x 1-1/4 inch Flat Hex, screw all four corners using the supplied Hex wrench.

**Note:** Logos, graphic elements and or photo images contained in this document may not be reproduced without written consent of Ryonet®